

THE HARLOFF COMPANY, INC.

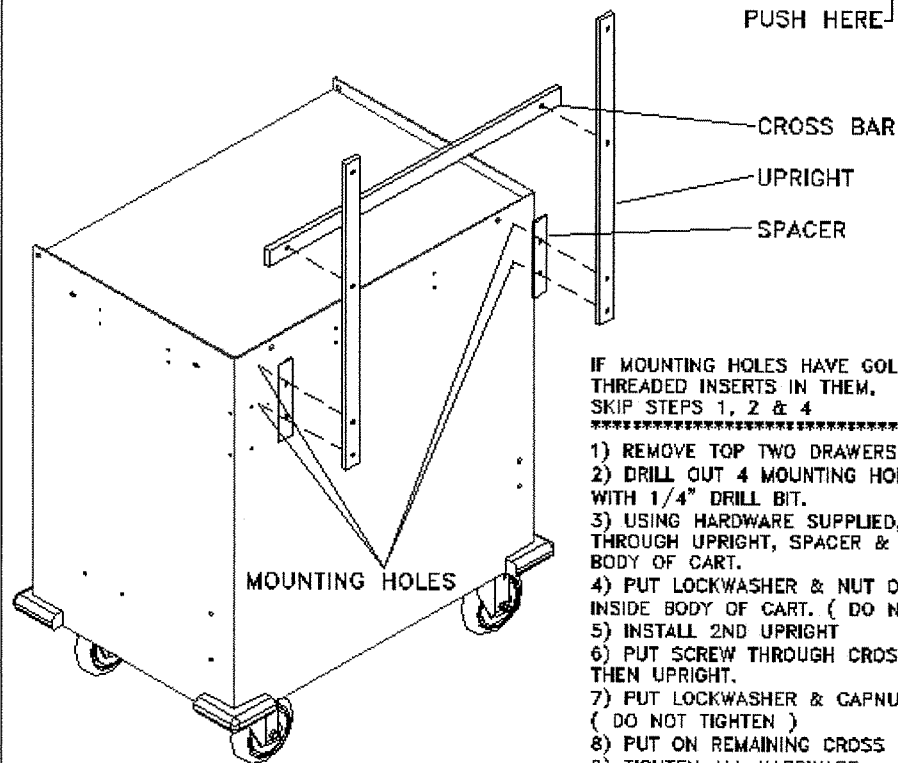
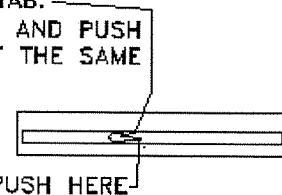
650 FORD STREET-COLORADO SPRINGS, CO 80915
(719)637-0300 FAX (719)597-8273

Instructions for mounting a raised back rail system part numbers:

68157
68158
68163

TO REMOVE DRAWERS:

- 1) FULLY OPEN DRAWER.
- 2) FIND BLACK PLASTIC TAB.
- 3) LIFT UP ON ONE SIDE AND PUSH DOWN ON THE OTHER, AT THE SAME TIME.
- 4) REMOVE DRAWER.



IF MOUNTING HOLES HAVE GOLD COLORED
THREADED INSERTS IN THEM,
SKIP STEPS 1, 2 & 4

- *****
- 1) REMOVE TOP TWO DRAWERS AS SHOWN.
 - 2) DRILL OUT 4 MOUNTING HOLES SHOWN WITH 1/4" DRILL BIT.
 - 3) USING HARDWARE SUPPLIED, PUT SCREW THROUGH UPRIGHT, SPACER & THROUGH BODY OF CART.
 - 4) PUT LOCKWASHER & NUT ON SCREW, INSIDE BODY OF CART. (DO NOT TIGHTEN)
 - 5) INSTALL 2ND UPRIGHT
 - 6) PUT SCREW THROUGH CROSS BAR AND THEN UPRIGHT.
 - 7) PUT LOCKWASHER & CAPNUT ON SCREW, (DO NOT TIGHTEN)
 - 8) PUT ON REMAINING CROSS BARS.
 - 9) TIGHTEN ALL HARDWARE.