

Instruction for Use - Installing ES Series Sink Divider on Model ES47 Sinks

This instruction covers installing a sink divider on ES Series sink model ES47. The ES Scrub Sink Divider Kit for this operation is part #S0182-01. Parts of this kit (Fig. 1) are:

Item #	Part #	Description	Qty
1	S0301	Economy Splash Guard	1
2	S0046	Bracket Sink Divider	3
3	H0006-05	#6-32 x 1/2 Flat Undercut Head Screw (Stainless Steel)	3

1. Review the hole drill dimensions in Fig. 2 for installing the divider brackets.

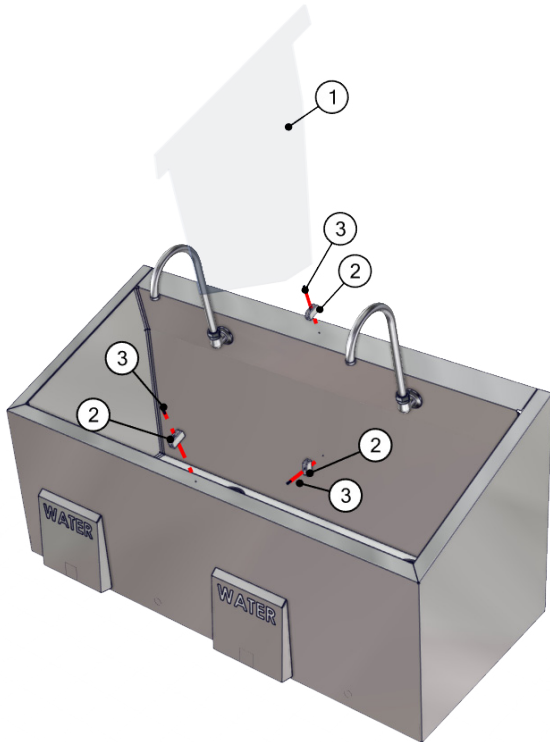


Fig. 1: Sink Divider Parts

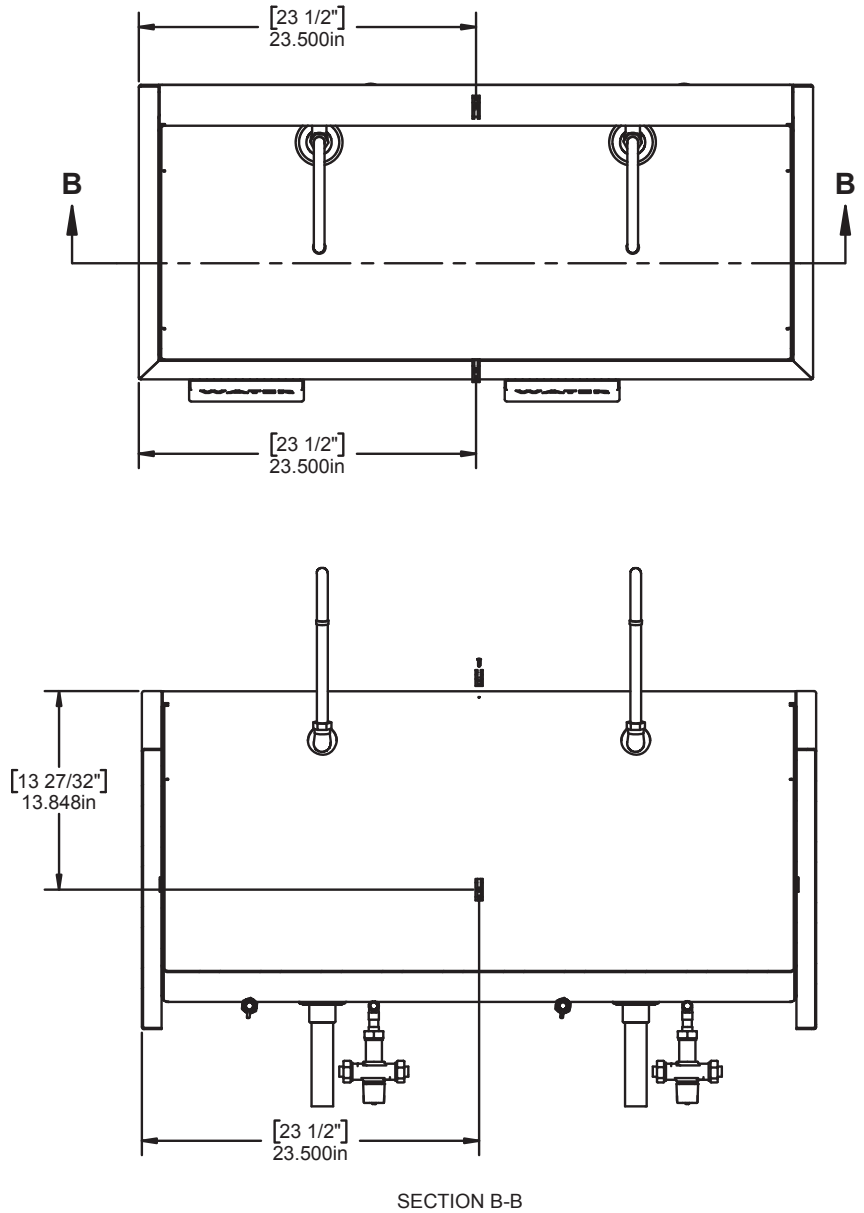


Fig. 2: Drill hole locations

Information regarding this product is subject to change without prior notice.

Printed in USA
Publication No. IFU-122 Rev A
August 2017

Instruction for Use - Installing ES Series Sink Divider on Model ES47 Sinks

2. Drill ,106 holes and tap 6-32 in 3 places (Fig. 3). The 3 holes should align with each other according to the dimension drawing in Fig. 2.
3. Center the holes of the brackets on the tapped holes. Screw the brackets into place with the provided screws (Fig. 3).
4. Insert the divider through the center bracket (Fig. 4). The two tabs on the divider should fit securely in the top two brackets.

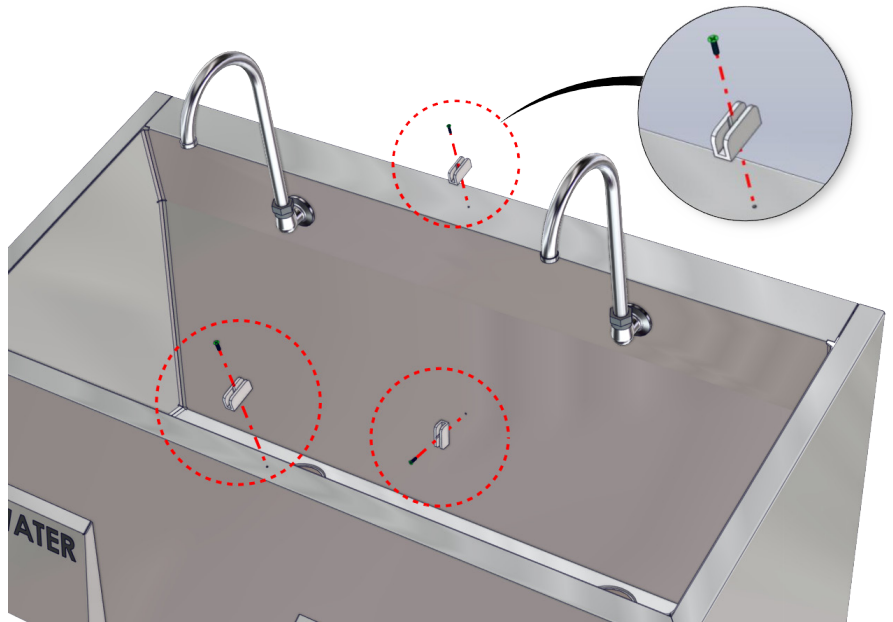


Fig. 3: Drill tap holes - 3 places - screw in brackets

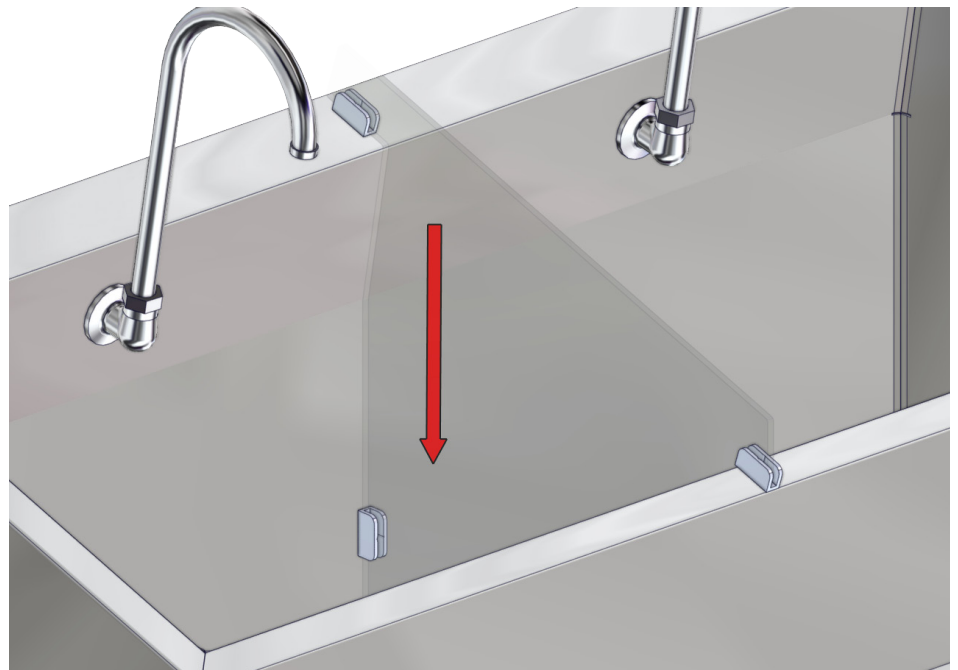


Fig. 4: Insert divider into brackets