

Instruction for Use - Replacing Knee Panel Hinges on Scrub Sinks

Replacement hinge part needed for this operation (Fig. 1):

- S0156L (left latch knee panel hinge)
- S0156R (right latch knee panel hinge)



Fig. 1: Left hinge S0156L - Right Hinge S0156R

Remove old left and right latch knee panel hinges:

1. Open the knee panel door by depressing the latch at the bottom of the panel door (Fig. 2).
2. Swing the door fully open to access the hinges (Fig. 3).
3. Push the hinge pins inward to release the door from the hinges (Fig. 4).
4. Unbolt the four bolts that secure the left/right knee panel hinges to the sink (Fig. 5).

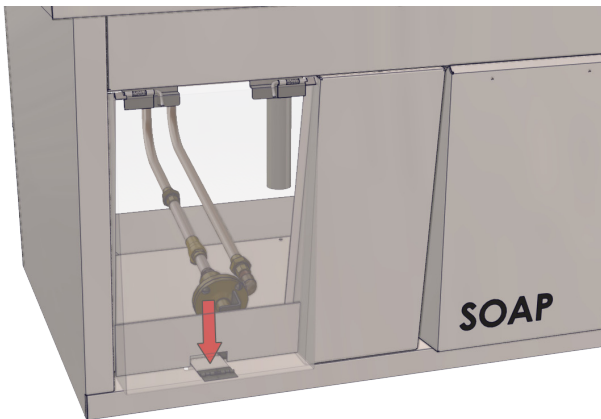


Fig. 2: Push down knee panel door latch

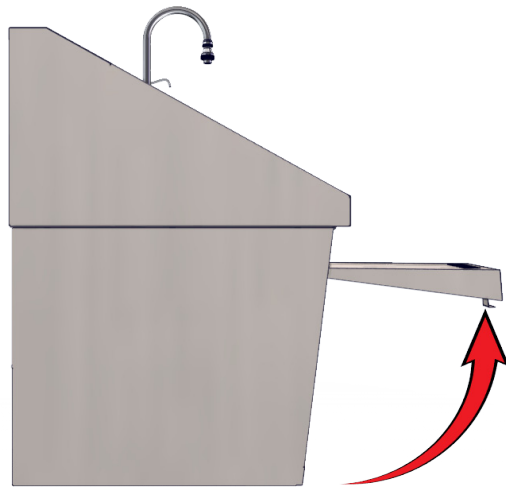


Fig. 3: Door in fully opened position

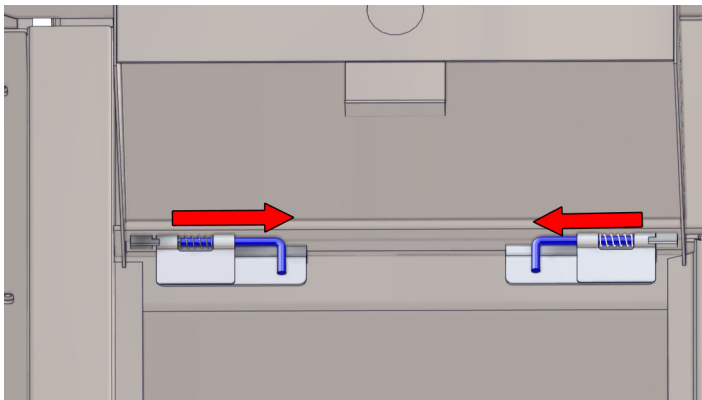


Fig. 4: Push hinges inward

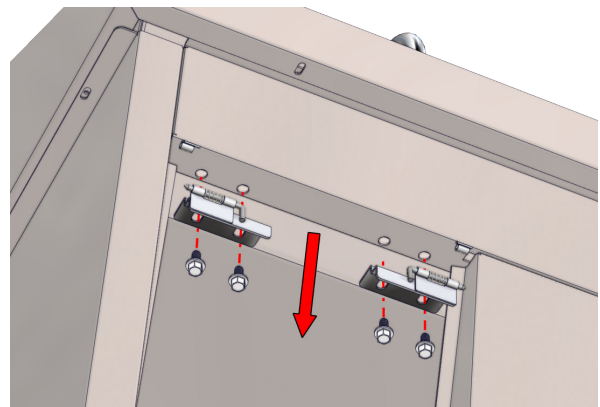


Fig. 5: Remove bolts and hinges

Instruction for Use -

Replacing Knee Panel Hinges on Scrub Sinks

Install New Left and Right Knee Panel hinges:

5. Align the holes of the new left hinge with the left side holes on the sink. Screw in the two bolts to secure the left hinge to the sink (Fig. 6).
6. Do the same for the new right hinge.
7. Push in the hinge pins (Fig. 7) and fit the top corners of the knee panel door onto the left and right hinge leaves (Fig. 8 - circled in red). When the door is refitted, release the hinge pins to secure the door to the sink.
8. The knee panel door should rotate freely on its hinges. Rotate the door back down on its bottom latch to close it (Fig. 9).

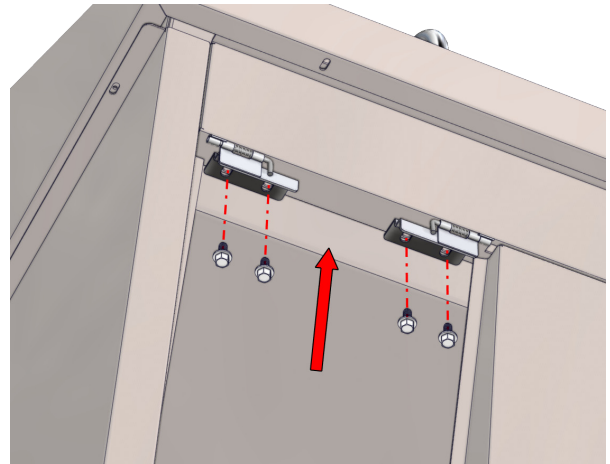


Fig. 6: Install and secure new hinges

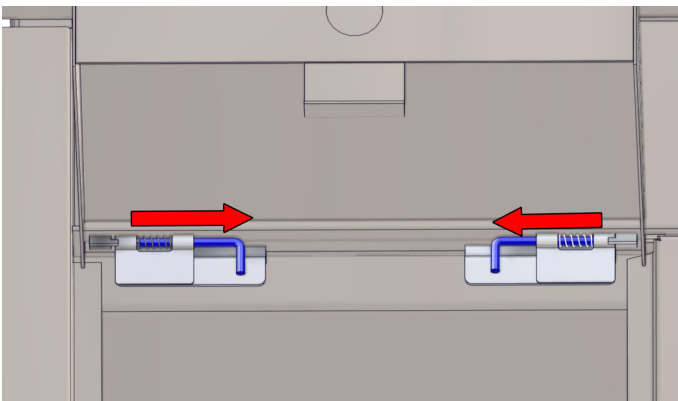


Fig. 7: Push hinges inward

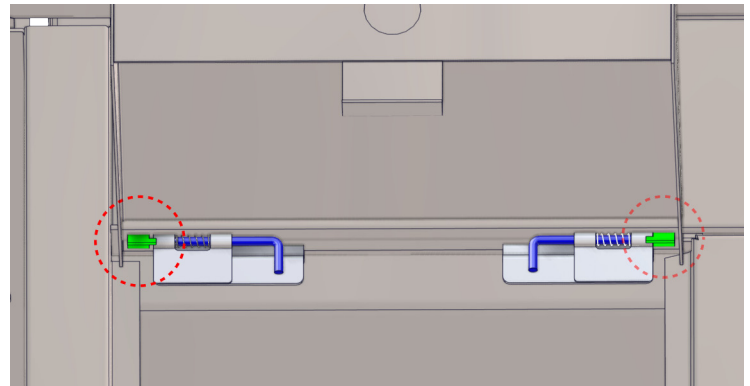


Fig. 8: Left - right hinge leaves

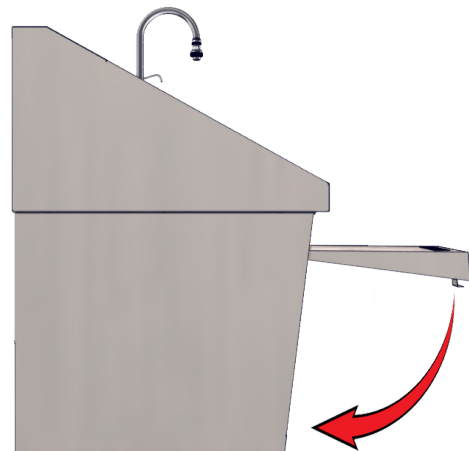


Fig. 9: Door should rotate freely on hinges