



## Instruction for Use -

### Installation of the Infrared Soap Dispenser Kit on SS32, SS64 or SS96 Sinks



Information regarding this product is subject to change without prior notice.

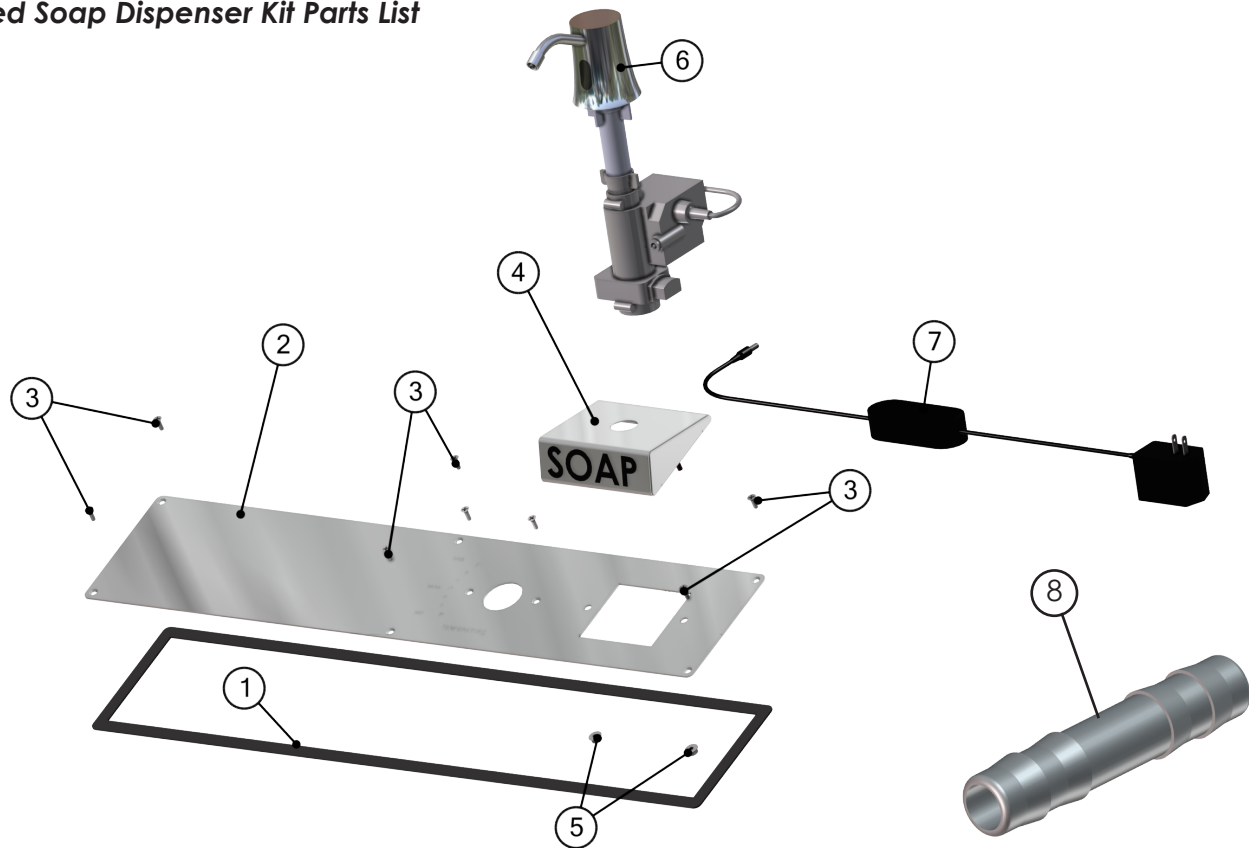
Printed in USA  
Publication No. IFU-114 Rev A  
June 2017



## Instruction for Use -

### Installation of the Infrared Soap Dispenser Kit on SS32, SS64 or SS96 Sinks

#### Infrared Soap Dispenser Kit Parts List



Kit Items			
Item #	Part #	Description	Qty
2	SMS0057-ITS	Stainless Steel Sink Header	1
4	S0090-IRS	Skytron IR Housing Weldment (MOA)	1
6	SP001	IR Soap Pump & Power Supply	1
7	SP001-02	Power Supply	1
8	H0210-15	Barbed Straight Connector	1
not shown	S0095	3/16 ID PVC Tubing Soap Pump	6 ft.
	H0905-01	Plastic Syringe	1
	-----	Kit Wrench (for tightening IR Soap Pump Head Nut)	1

Non-Kit Sink Items Re-Used in Kit Assembly			
Item #	Part #	Description	Qty
1	S0045	Sink Header Gasket	1
3	H0006-04	Flat Head Screw	6
5	H0014-02	#10-32 Locking Hex Nut	2



## Instruction for Use -

### Installation of the Infrared Soap Dispenser Kit on SS32, SS64 or SS96 Sinks

#### Replace Original Header

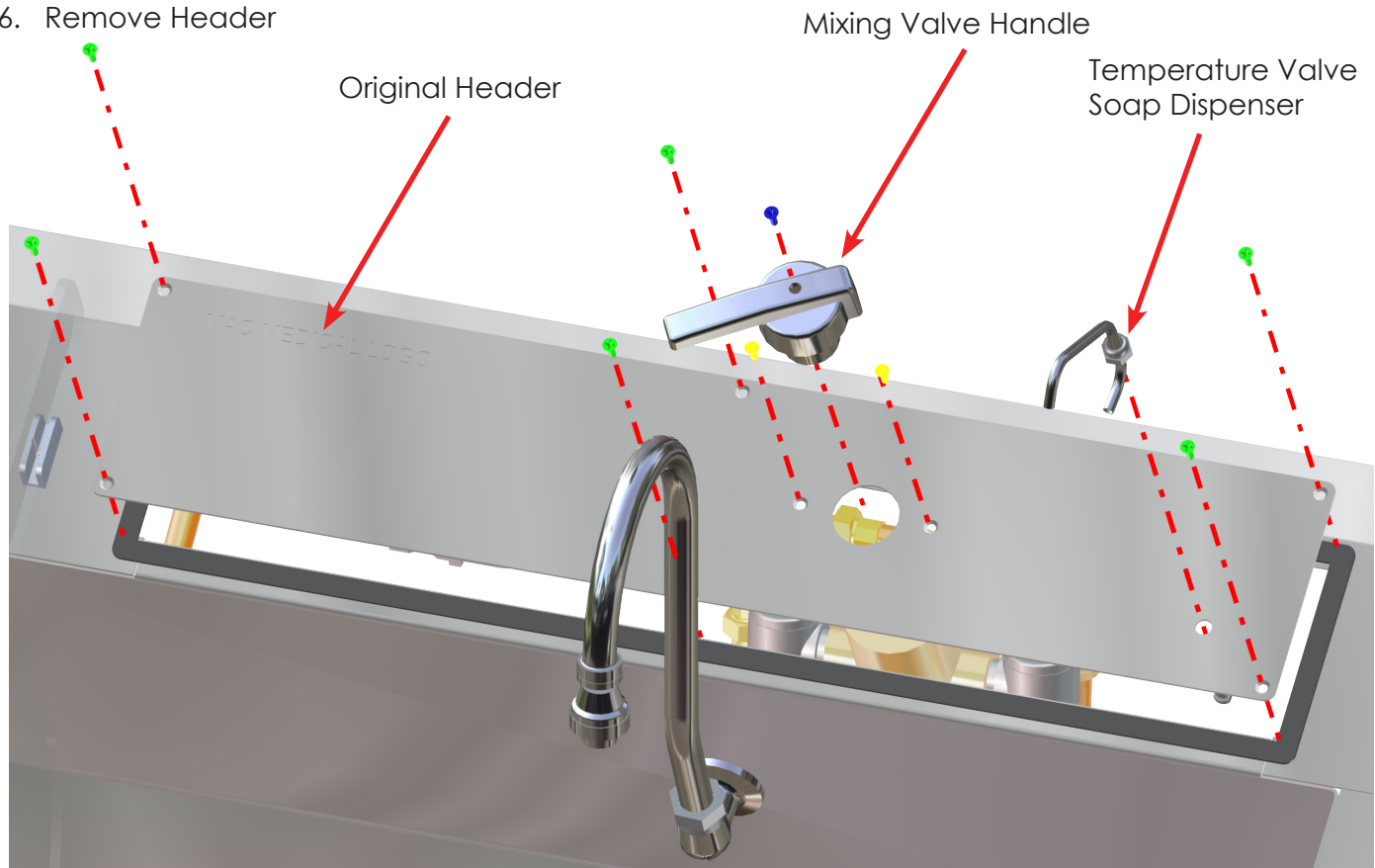
Using the kit items, retrofit the sink with the Infrared (IR) Soap Dispenser. The IR Soap Dispenser can be located over any or all of the sink basins. (see red circled area).

First, replace the original header (See illustration below).

1. Remove the top screw (shown in blue) from the Mixing Valve Handle. Set this aside for re-use.
2. Remove mixing valve handle (to be re-installed later).
3. Remove the 2 screws (shown in yellow) on either side of the Mixing Valve Handle from the Mixing Valve standoffs. Set these aside for re-use.
4. Unscrew and remove the temperature valve soap dispenser. This will not be re-installed.
5. Unscrew the header's 6 screws (shown in green). Set these aside for re-use.
6. Remove Header



SS64-IR-MB-PB shown



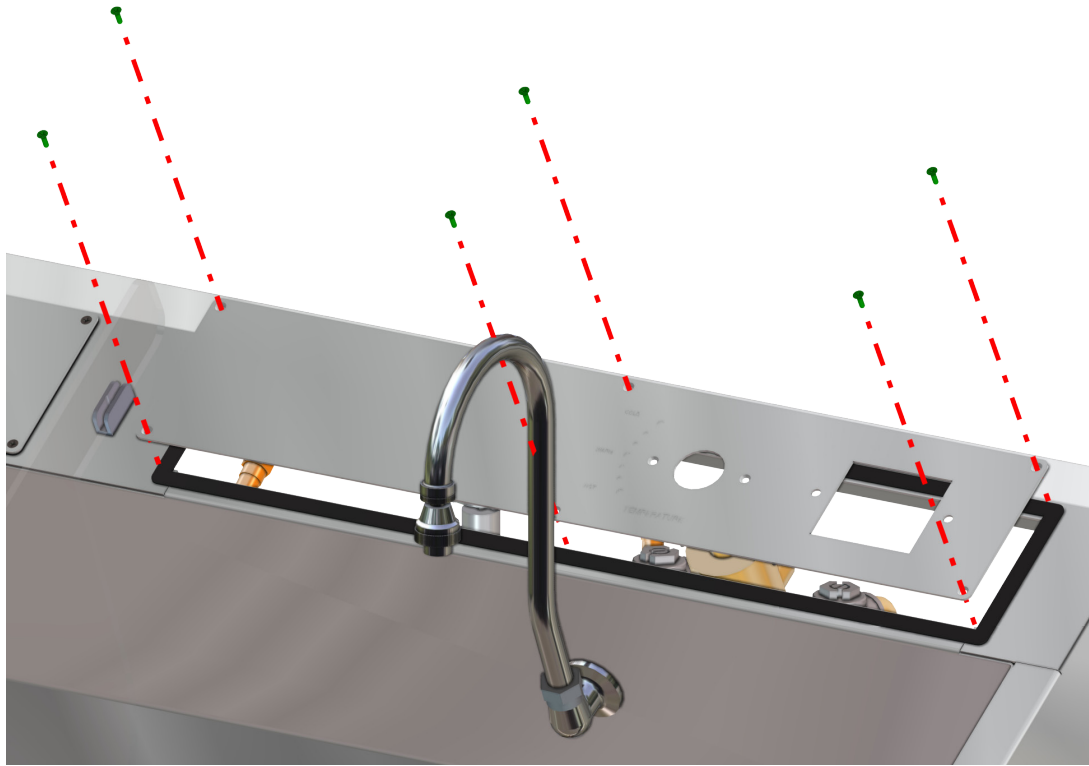


## Instruction for Use -

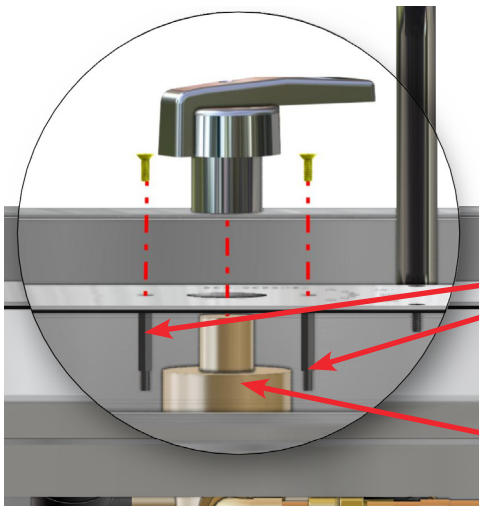
### Installation of the Infrared Soap Dispenser Kit on SS32, SS64 or SS96 Sinks

#### Reassemble Header with IR Soap Dispenser

1. After removing the old header, replace it with the new Header and secure it to the sink on top of the Sink Header Gasket with the 6 flat-head screws.



2. Re-insert the 2 screws (shown in yellow) into the Mixing Valve standoffs in their previous positions on either side of the Mixing Valve Handle. (The illustration at left shows an X-ray view from the back of the sink.)
3. Re-insert the Mixing Valve Handle into the Thermostatic Mixing Valve and re-secure with its top screw.



Mixing Valve Standoffs

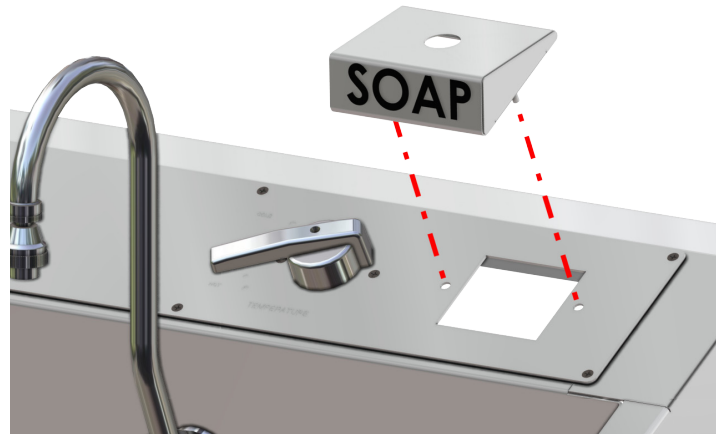
Thermostatic Mixing Valve



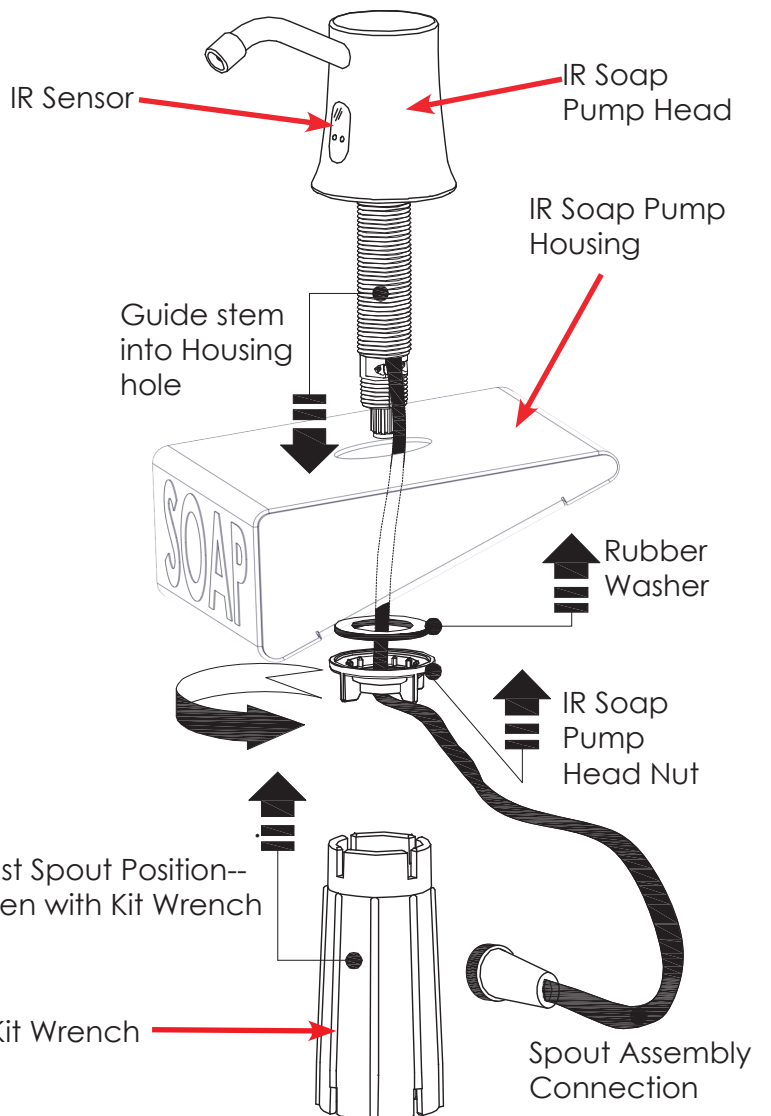
## Instruction for Use -

### Installation of the Infrared Soap Dispenser Kit on SS32, SS64 or SS96 Sinks

- Attach the IR Soap Pump Housing to the Header by inserting its pre-attached screws into its hole positions on the Header,
- From the back of the sink, attach nuts to the 2 housing screws to secure the Housing to the header.



- Insert the IR Soap Pump Head through the hole of the IR Soap Pump Housing.
- Attach Washer to the IR Soap Pump Head stem.
- Attach IR Soap Pump Head Nut to the Head stem.
- Important:** Use the kit wrench to firmly secure to IR Soap Pump Head Nut. Do not hand tighten.
- Position the Soap Dispenser spout and the sensor is over the sink basin by adjusting its position with the Kit Wrench.



IR Soap Pump Head installed in Housing

Information regarding this product is subject to change without prior notice.

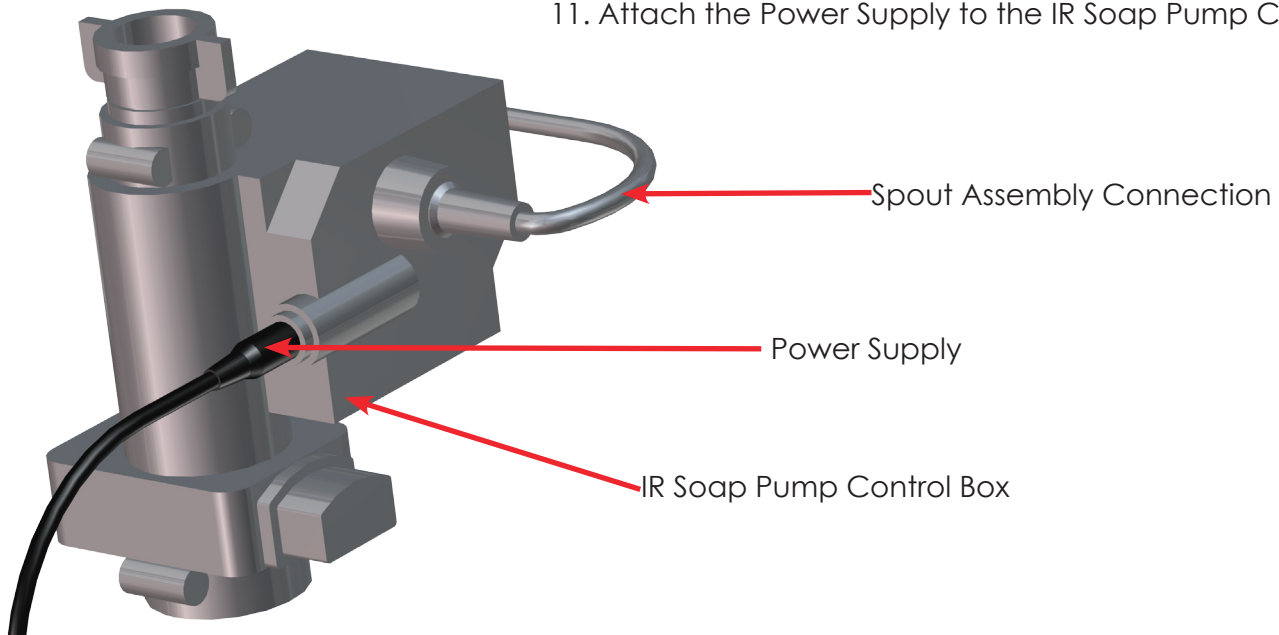
Printed in USA  
Publication No. IFU-114 Rev A  
June 2017



## Instruction for Use -

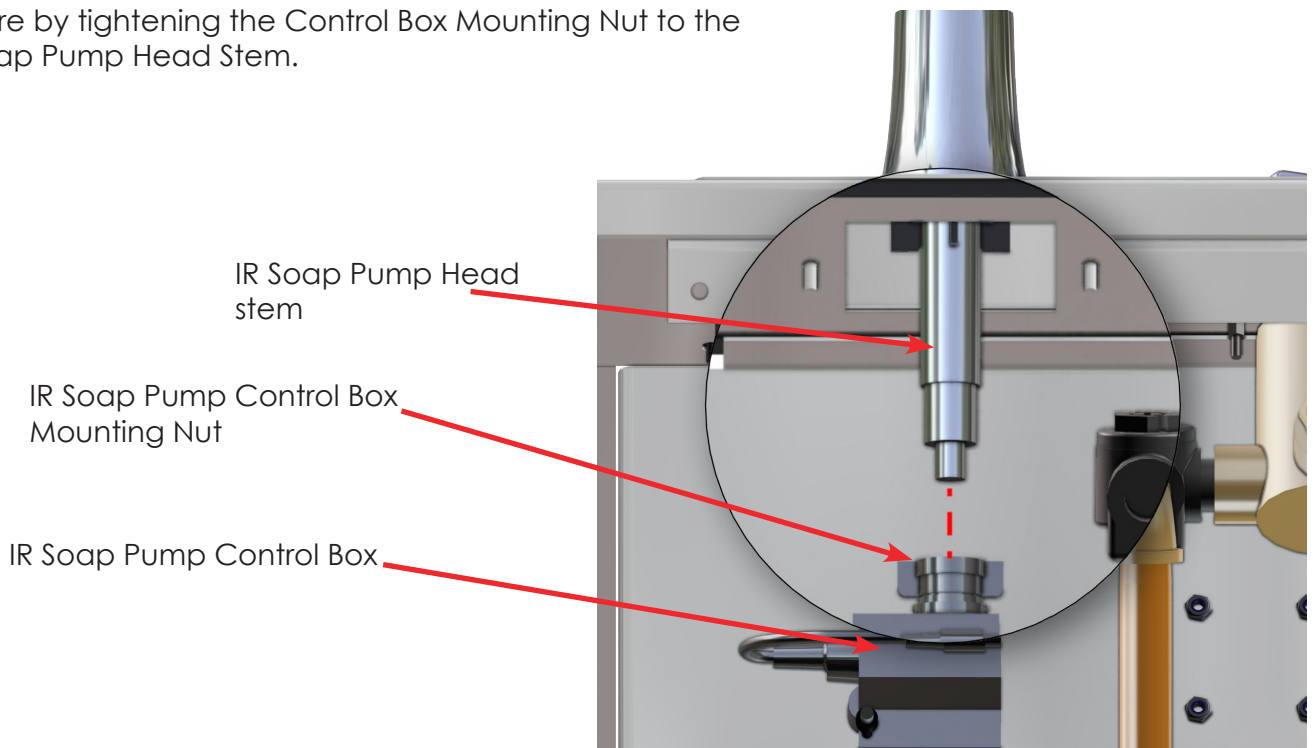
### Installation of the Infrared Soap Dispenser Kit on SS32, SS64 or SS96 Sinks

11. Attach the Power Supply to the IR Soap Pump Control Box.



12. From the back of the sink, attach the IR Soap Pump Control Box to the IR Soap Pump Head stem.

13. Secure by tightening the Control Box Mounting Nut to the IR Soap Pump Head Stem.

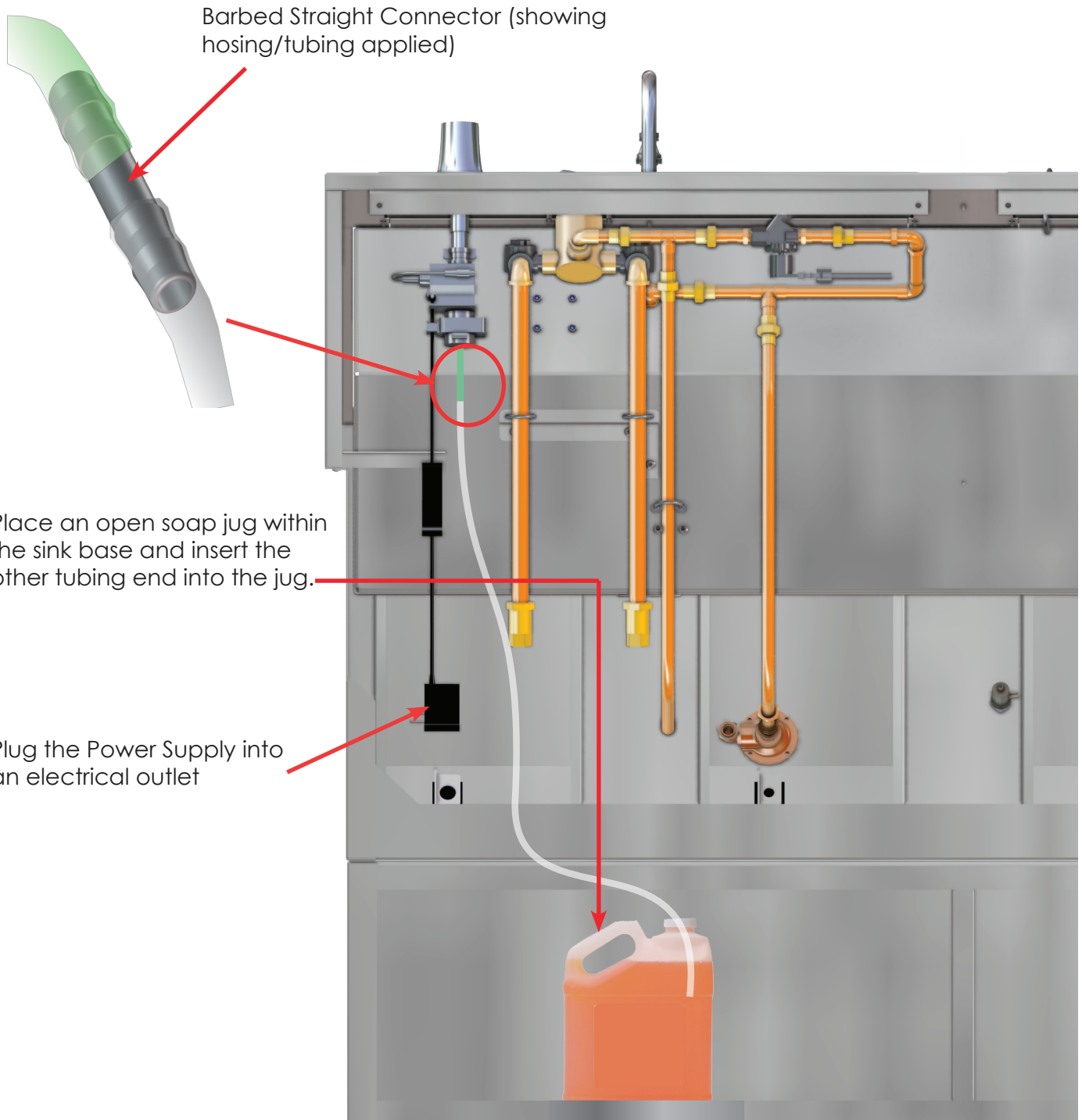




## Instruction for Use -

### Installation of the Infrared Soap Dispenser Kit on SS32, SS64 or SS96 Sinks

14. Insert one end of the Barbed Straight Connector to the IR Soap Pump Control box hose (shown in green in the red circled area) and the other end of the Connector to the 3/1 ID PVC Tubing. Trim the excess tube length with scissors.





## Instruction for Use -

### Installation of the Infrared Soap Dispenser Kit on SS32, SS64 or SS96 Sinks

#### Priming the Soap Pump

This instruction will demonstrate how to prime the soap pump, which is necessary to start the pumping of soap.

#### Use only non-detergent soap.

For this operation, you will need a plastic syringe provided by MAC Medical (H0905-01) and a full soap container (not supplied by MAC Medical) to place the soap pump tubing (S0095) into. This tubing is pre-installed with the sink



Place the loose end of the tubing into the soap container (not supplied by MAC Medical). Insert the syringe tip into tip of the sink soap pump head with the syringe plunger fully depressed. Withdraw the syringe plunger to suck the soap through the soap pump dispenser.



Keep priming the soap pump with the syringe until the soap begins dispensing through the soap pump head dispenser.





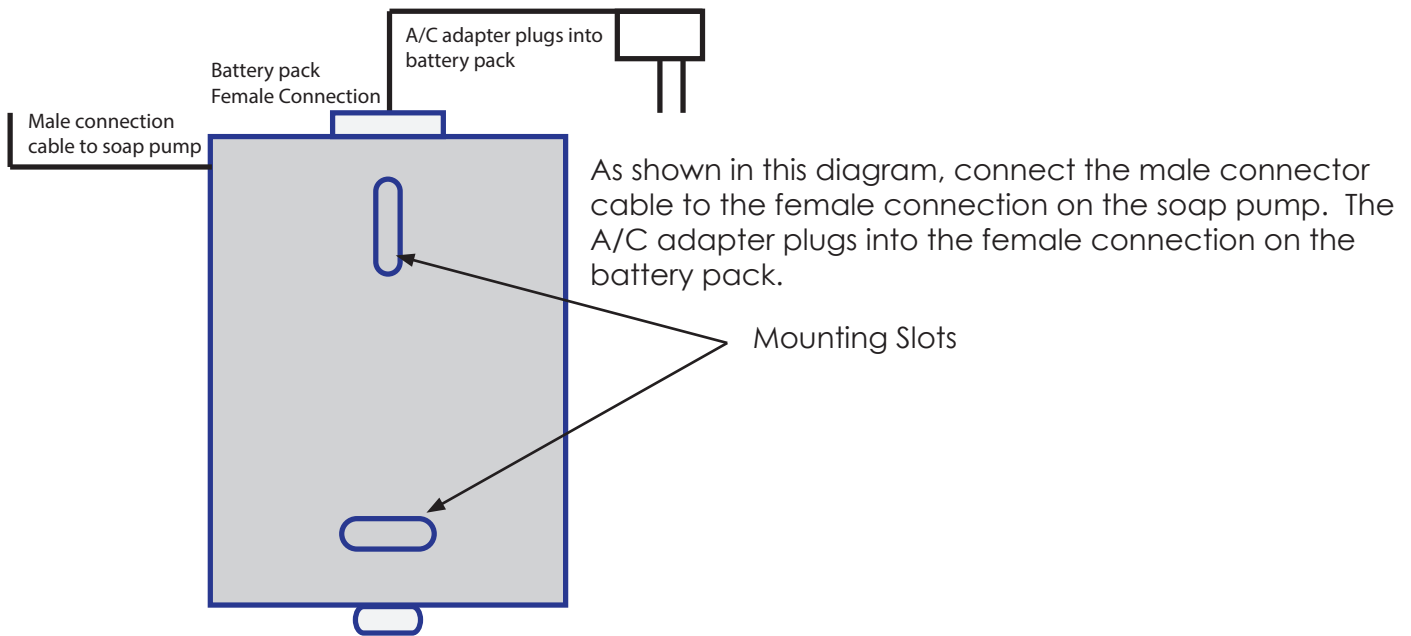
## Instruction for Use -

### Installation of the Infrared Soap Dispenser Kit on SS32, SS64 or SS96 Sinks

#### Mounting an Optional Power Source

An optional power source for the soap pump is the battery pack, which is to be mounted (vertically or horizontally) on the wall below the sink. Be sure to provide access to the battery pack so that batteries can be changed regularly.

The battery pack operates on four (4) D size cell batteries (not supplied by MAC Medical).



Interior of battery pack



Exterior of battery pack