



Installation Instruction and Instruction for Use - Eye Wash Unit S0201-01 for Economy Sinks

Eye Wash Kit S0201-01 for Economy Sinks

The Eye Wash Unit provides flushing fluid to both eyes simultaneously. The flushing streams rise to approximately equal heights on both sides. The two spray heads have a flip-top dust cover, internal flow control and in-line strainer to remove impurities from the water flow.

Once activated, the unit operates hands-free (stay-open valve) until intentionally closed.

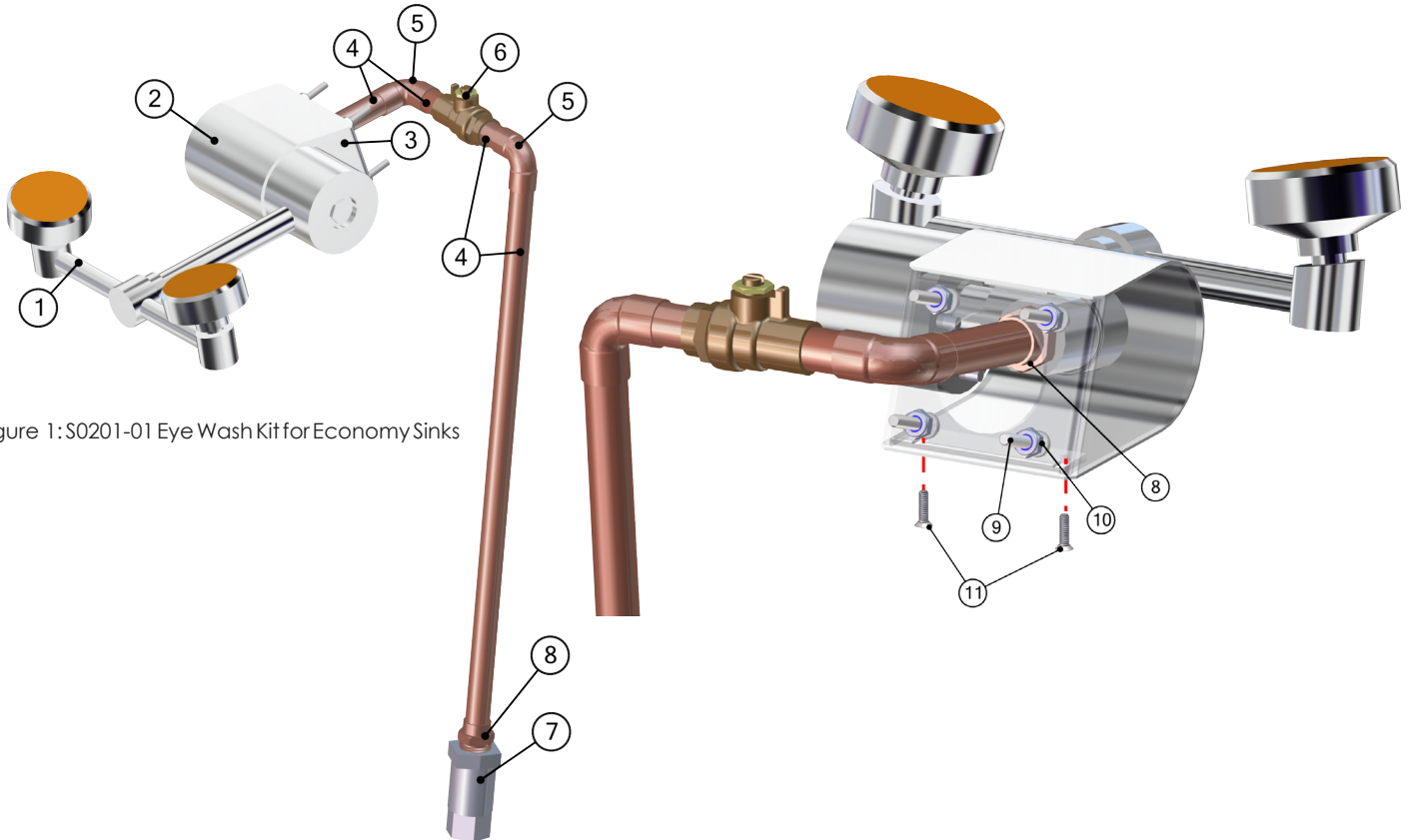


Figure 1: S0201-01 Eye Wash Kit for Economy Sinks

Item #	Part #	Description	Qty
1	S0125-GUAR	Guardian Eye Wash Faucet	1
2	SMS0059	Eye Wash Cover	1
3	SMS0058	Eye Wash Housing	1
4	S0069	1/2" Copper Pipe	3 ft.
5	S0049	Elbow, 1/2" Copper 90	2
6	S0024	1/2" Balance Flow Control Valve	1
7	S0131	Check Valve 1/2 Spring Loaded	1
8	S0059	Adaptor, Male 1/2 X 1/2	2
9	H0015-06	Pan Head Screw 10-32 X 1.0" Long Stainless Steel	4
10	H0004-04	10-32 Nylon Lock Nut	4
11	H0006-05	#6-32 X 1/2 Flat Undercut Head Stainless Steel Screw	2

Information regarding this product is
subject to change without prior notice.

Printed in USA
Publication No. IFU-107 rev A
February 2017



Installation Instruction and Instruction for Use - Eye Wash Unit S0201-01 for Economy Sinks

Installation

1. Drill a hole pattern with the dimensions (shown in Figure 2) on the front face of the back sink basin wall. Note: Drilling may not be needed if pattern already exists.

Mounting Hole Pattern - Economy Sinks

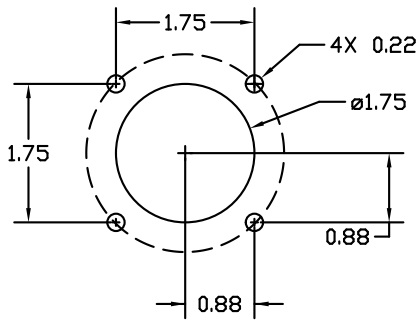


Figure 2: Hole Drill Pattern - Economy Sinks

2. Attach the Eye Wash Housing (SMS0058) to the front face of the sink basin wall. Secure with the supplied 4 pan head screws (H0015-06) and 4 nylon lock nuts (H0004-04). See Figure 3 (Sink basin wall is shown half transparent for clarity.)

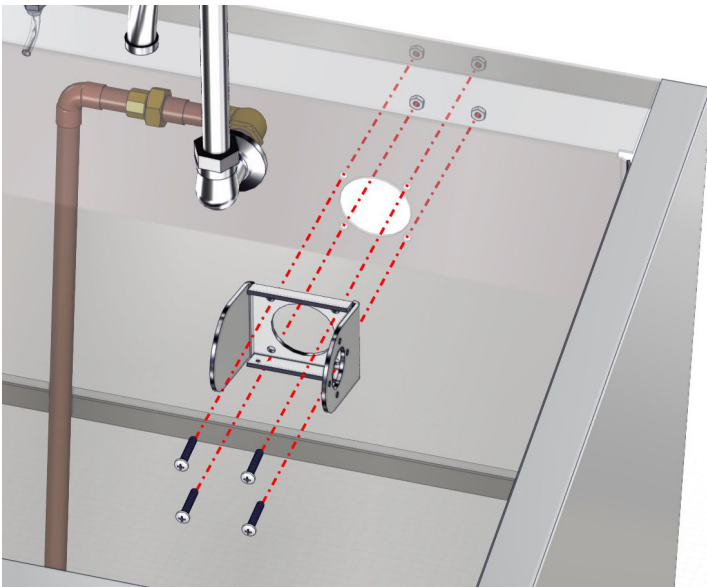


Figure 3: Attach Eye Wash Housing

3. After attaching the housing (SMS0058) to the sink basin, separate the 1/2" NPT female inlet and mounting shank from the eye wash unit. Place these within the housing (see Figure 4).

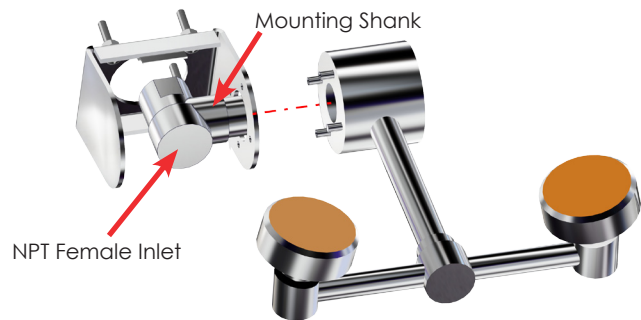


Figure 4: Locate NPT female Inlet & Mounting Shank

4. Re-attach the eye wash unit to the mounting shank, lining up the 4 studs with the 4 holes on the right side of the housing. (see Figure 5).



Figure 5: Re-attach Eye Wash Unit



Installation Instruction and Instruction for Use - Eye Wash Unit S0201-01 for Economy Sinks

- See Figure 6. Attach Eye Wash Cover (SMS0059-01 - red arrow) to the Eye Wash Housing (SMS0058) with two #6-32 x 1/2" Flat Undercut Head Stainless Steel Screws (H0006-05 - circled in red). These two screws go through the bottom holes of the cover as shown in Figure 6.

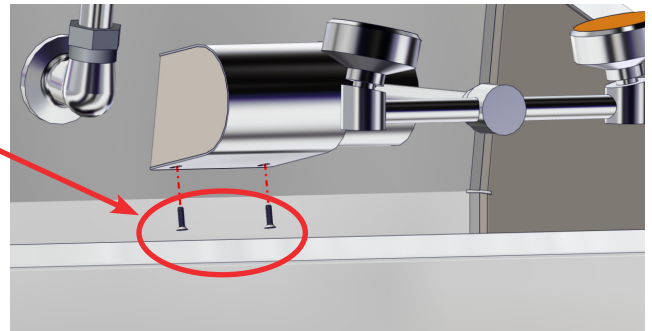


Figure 6: Attach Eye Wash Cover

Assemble Plumbing

See Figure 7 to follow the steps below.

- Attach male adapter (S0059) to the NPT Female Inlet.
- Cut a small length (3 1/4") of copper pipe (S0069) and fit it into the male adaptor (S0059).
- Attach an elbow pipe (S0049) to the pipe length.
- Cut another small length (2 1/2") of copper pipe and fit it to the elbow pipe (S0049).
- Attach one end of the Balance Flow Control Valve (S0024) to the pipe length.
- Cut another small length (1 1/2") of copper pipe and attach it to the other end of the Balance Flow Control Valve (S0024).
- Attach an elbow pipe (S0049) to the pipe length.
- Attach a long length (16") of copper pipe to the elbow pipe (S0049).
- Attach the other male adapter (S0059) to the pipe length.
- Attach the Spring Loaded Check Valve (S0131) to the male adaptor (S0059).
- Solder joints together after fitting all parts to complete assembly prior to connecting water to the system.
- Connect water line to Spring Loaded Check Valve (S0131).
- Be sure to adequately secure the plumbing to the sink to reduce vibration.

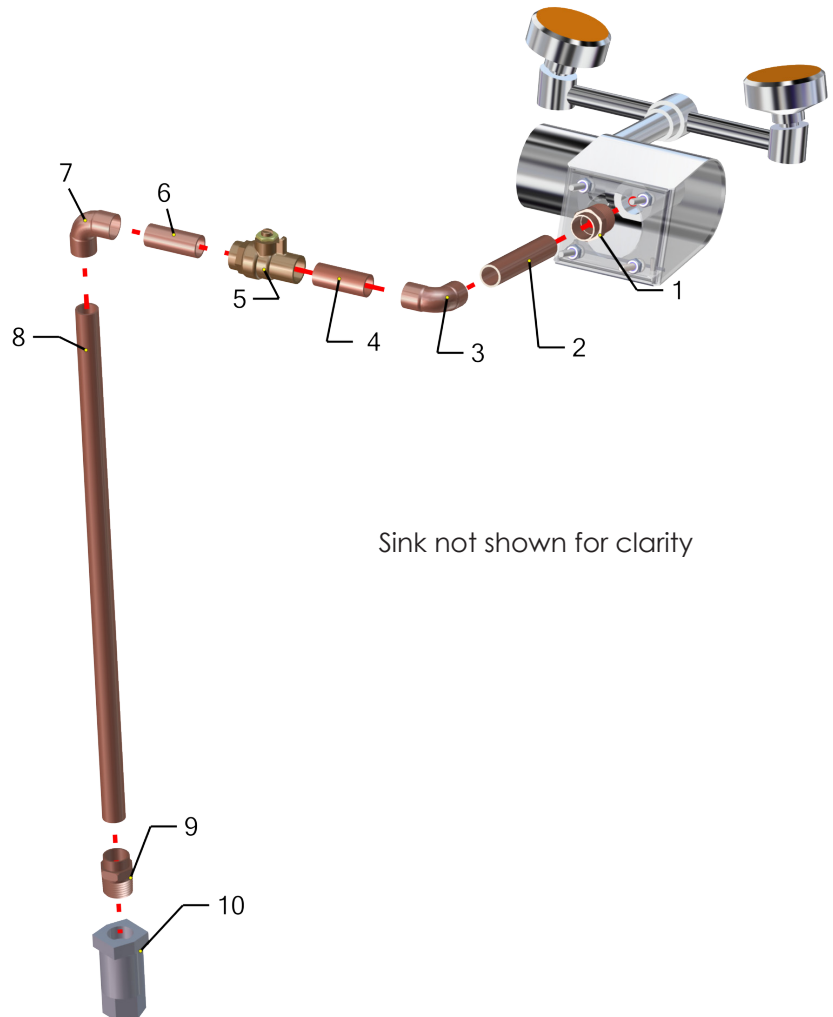


Figure 7: Plumbing Assembly



Installation Instruction and Instruction for Use - Eye Wash Unit S0201-01 for Economy Sinks

Operation and Maintenance of S0201-01 Eye Wash Units

To activate the water flow, swing the Eye Wash Head Assembly down from its 100° vertical position to flat horizontal. The valve begins to open at approximately 60° from vertical (see Figure 8).

To ensure proper maintenance, the unit should be activated weekly for a period long enough to verify proper operation and ensure flushing fluid is available. This prevents sediment build-up within the eye wash unit and minimizes microbial contamination in the stagnant water.

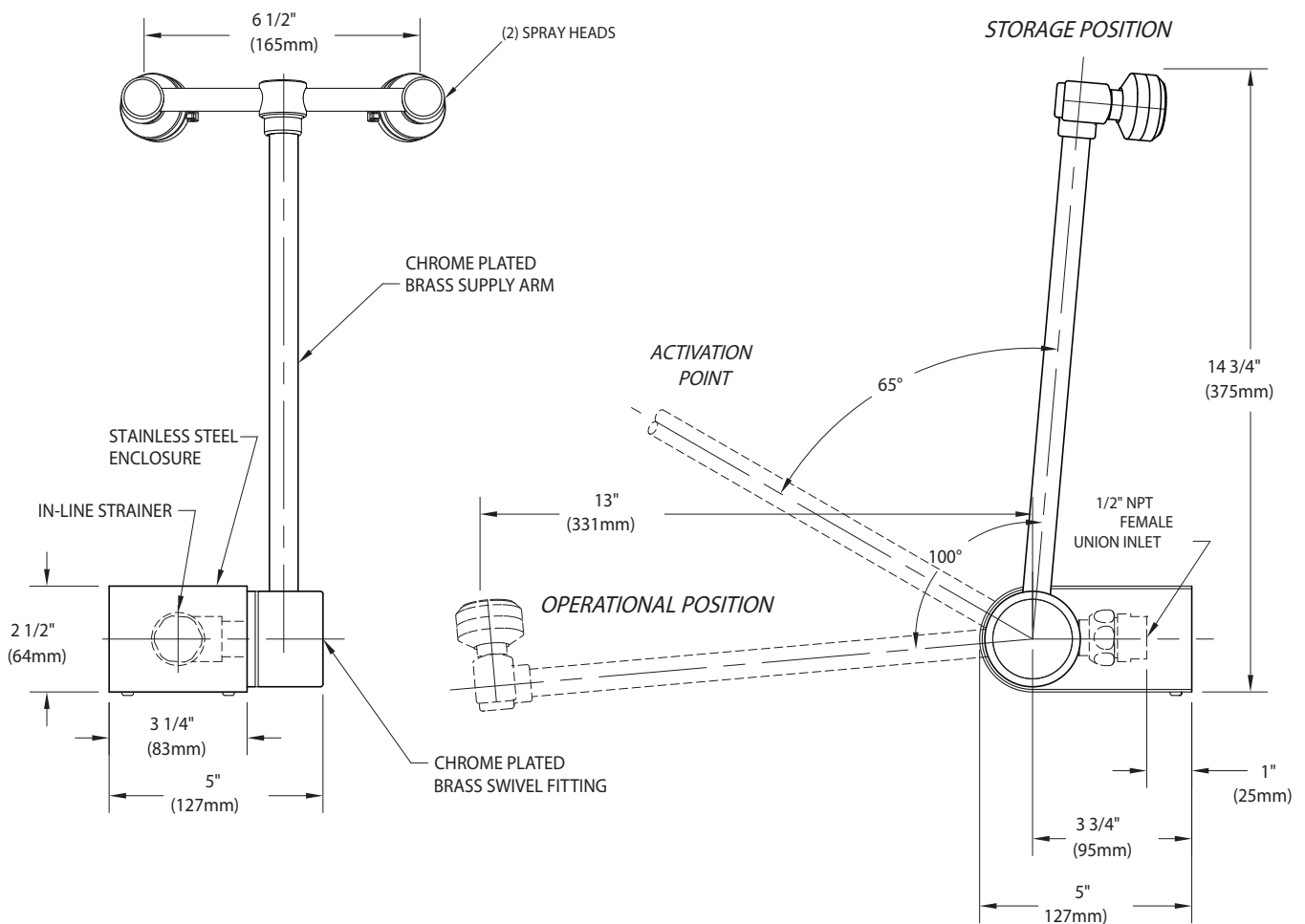


Figure 8: Operation of Eye Wash Unit